

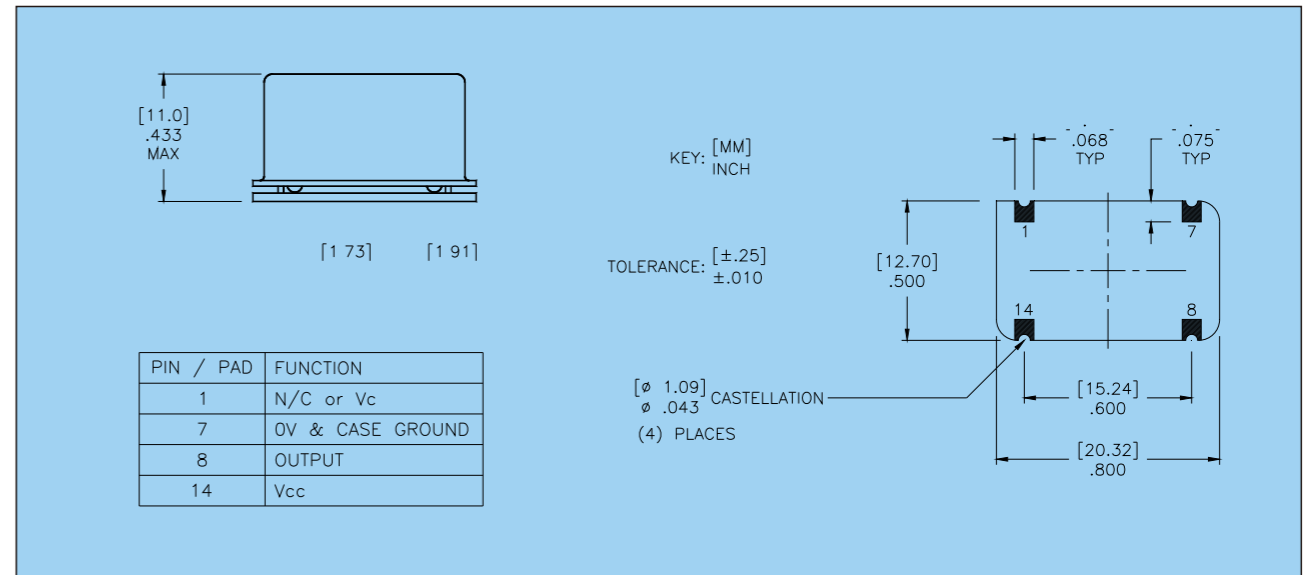
### Features

- AT Cut
- JYEG Part Number: JYOC14
- Low Aging, Compact Package
- APPLICATIONS:  
SDH/SONET, ATM, WLL  
Measurement Equipment

### TYPICAL SPECIFICATIONS

Type	OCXO2014
Frequency Range	2~100MHz
Standard Frequency	10, 12.8, 20, 38.88, 100MHz
Frequency Accuracy	± 0.5ppm(center control voltage)
Frequency Stability vs Temperature	±100ppb typical(AT Cut), ±10ppb typical(SC Cut)
Operating Temperature Range	0~50°C、-20~70°C、-40~85°C
Aging	First year ±500ppb typical(AT Cut), First year ±100ppb typical(SC Cut)
Short term stability	1.0x10 <sup>-10</sup> /s (10MHz)
Output Type and Load Characteristics	See Table1
Frequency Stability vs Load	± 20ppb vs ± 10% load change
Supply Voltage	+3.3VDC, +5.0VDC, +12VDC
Frequency Stability vs Voltage	± 20ppb vs ± 5% voltage change
Supply Consumption	2.0W(Max. )when warm-up; 1.0W(Max. )when static
Warm-up Time	± 0.5ppm, <3min
Adjustable Frequency Range	± 5ppm
Control Voltage Range	0~3.3V, 0~5V
Slope	Positive
Linearity	± 10%
Phase Noise(10MHz)	10Hz, -90dBc/Hz
	100Hz, -120dBc/Hz
	1kHz, -145dBc/Hz
	10kHz, -150dBc/Hz
Storage Temperature Range	-40°C~+100°C

### OCXO-2014

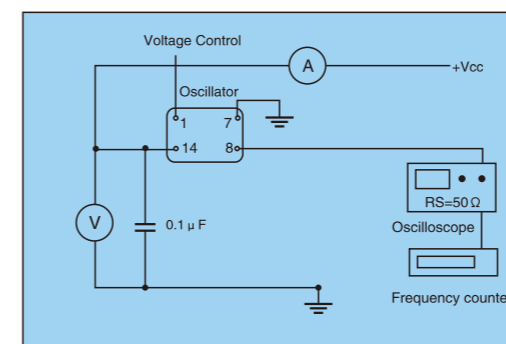


### OUTPUT TYPE AND LOAD CHARACTERISTICS TABLE 1

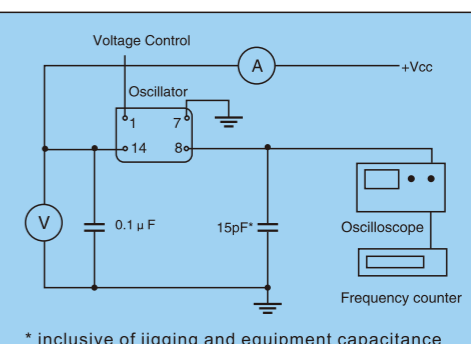
Output Waveform	Sine Wave
Output Characteristics	Load: 50 Ω Output level: > 2dBm Harmonic: < -25dBm Noise Suppression: < -75dBm

Output Waveform	HCMOS/LVCMOS
Output Characteristics	Load: 15pF TYP, 50PFMax. available "1" level: > 0.9VDD; "0" level: < 0.1VDD Duty cycle: 45/55 Rise/fall time: < 6ns(f <sub>n</sub> < 40MHz) Rise/fall time: < 3ns(f <sub>n</sub> > 40MHz)

### Test Circuit-Sine Wave



### Test Circuit-CMOS



\* inclusive of jiggling and equipment capacitance