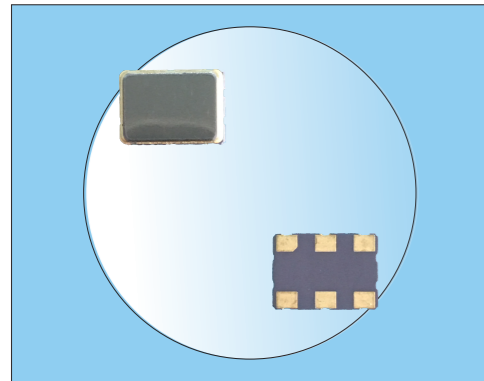


Crystal Clock Oscillators

Clock Oscillator/SMD 7050L



Features

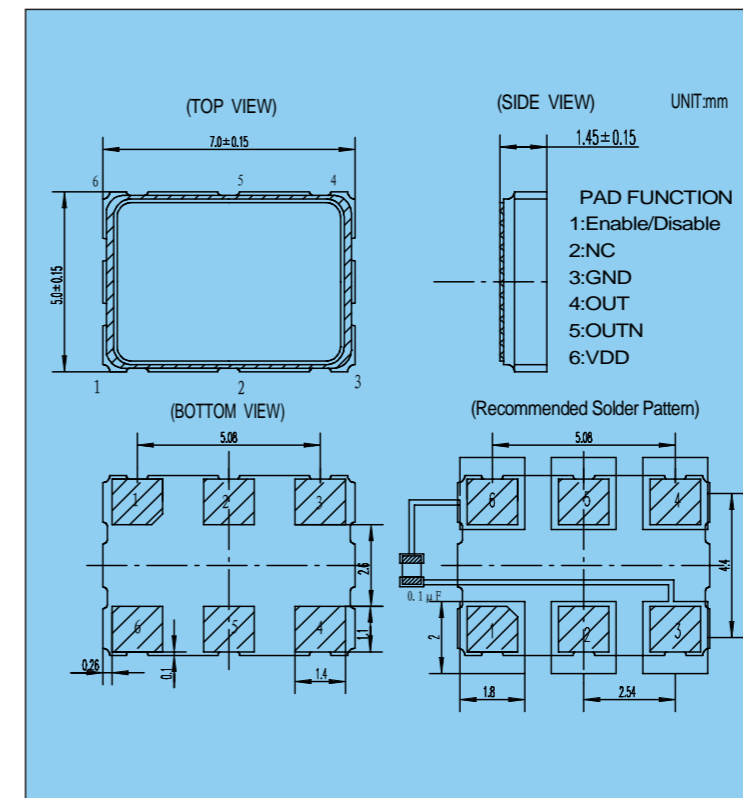
- JYEG part number :JYOD7L
- 3.3V supply voltage
- LVDS output
- Tri-state function available
- Tape and reel available

TYPICAL SPECIFICATIONS

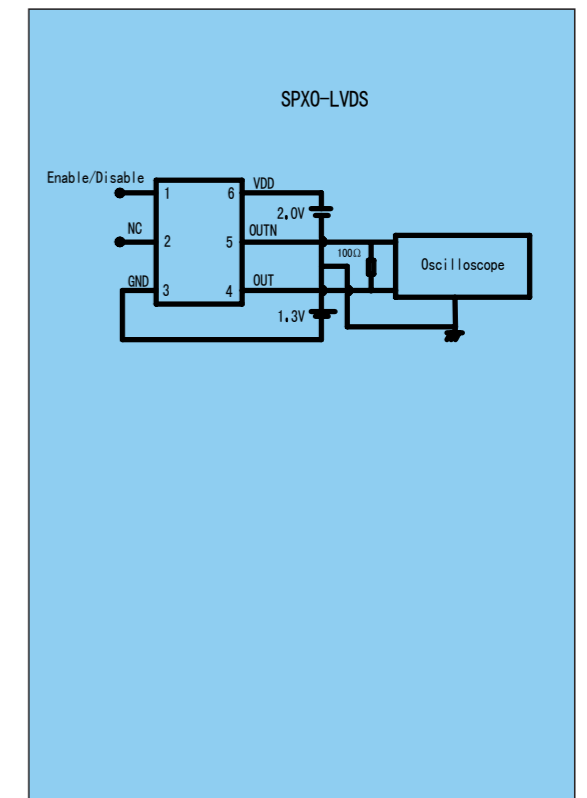
Type	OSC SMD7050L		
Frequency Range	100MHz~160MHz (AT3)		
Frequency Stability	$\geq \pm 25\text{ppm} / \geq \pm 30\text{ppm}$		
Operating Temperature Range	$-20^{\circ}\text{C} \sim 70^{\circ}\text{C} / -40^{\circ}\text{C} \sim 85^{\circ}\text{C}$		
Output Load	$100 \pm 1 \Omega$		
Input Current	$\leq 80\text{mA}$		
Supply Voltage	$3.3\text{V} \pm 10\%$		
Start-up Time	3ms Max		
Duty Cycle	40%~60% Normal, 45%~55% Tight		
Rise/Fall Time	2ns Max		
Output "H" Level	MIN	TYP	MAX
	—	1.43	1.6
Output "L" Level	MIN	TYP	MAX
	0.9	1.1	—
Tri-state	Pin1:0.7 VDD Min(High)or open,Output:Enable		
RMS	Pin1:0.3 VDD Max(Low),Output:Disable		
Jitter (12KHZ~20MHZ)	1.0ps Max		
Aging	$\pm 3\text{ppm/year Max}$		
Storage Temperature Range	$-55^{\circ}\text{C} \sim 125^{\circ}\text{C}$		

Crystal Clock Oscillators

OSC SMD(7050L)



TEST CIRCUIT



TAPE AND REEL DIMENSIONS

