

# SAW Resonator 1040MHz

MODEL NO.: TC0586A

REV. NO.:3.0

## A. FEATURES:

- 1-Port Resonator.

## B. MAXIMUM RATING:

1. Input Power Level: 10 dBm
2. DC voltage: 3 V
3. Operating Temperature: -40°C to +85°C
4. Storage Temperature: -40°C to +85°C
5. Moisture Sensitive Level: Level 1 (MSL1)

RoHS Compliant  
Lead free  
Lead-free soldering

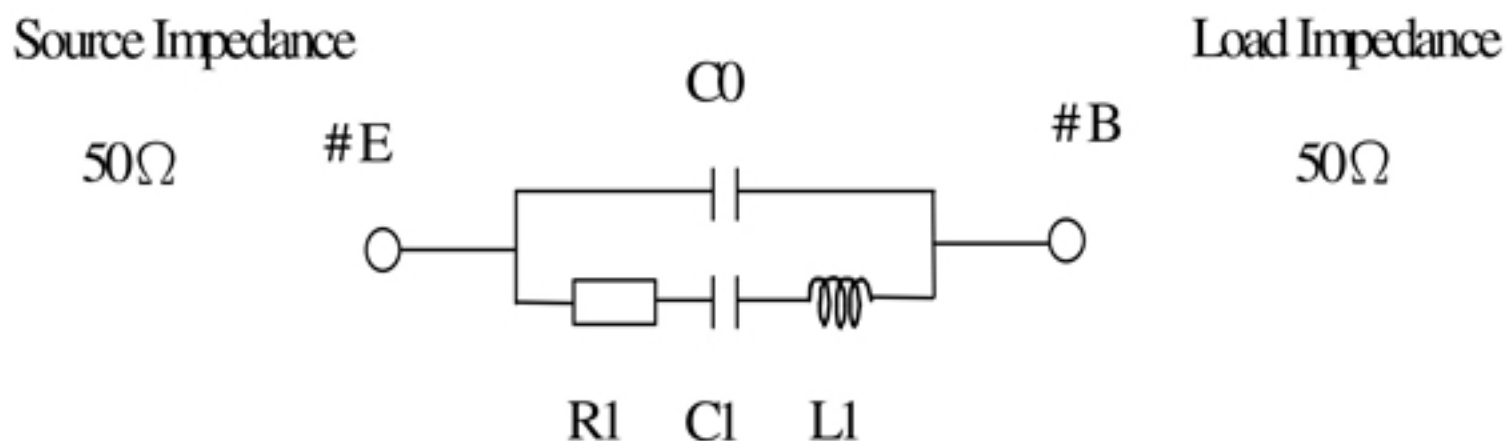
Electrostatic Sensitive Device (ESD)

## C. ELECTRICAL CHARACTERISTICS:

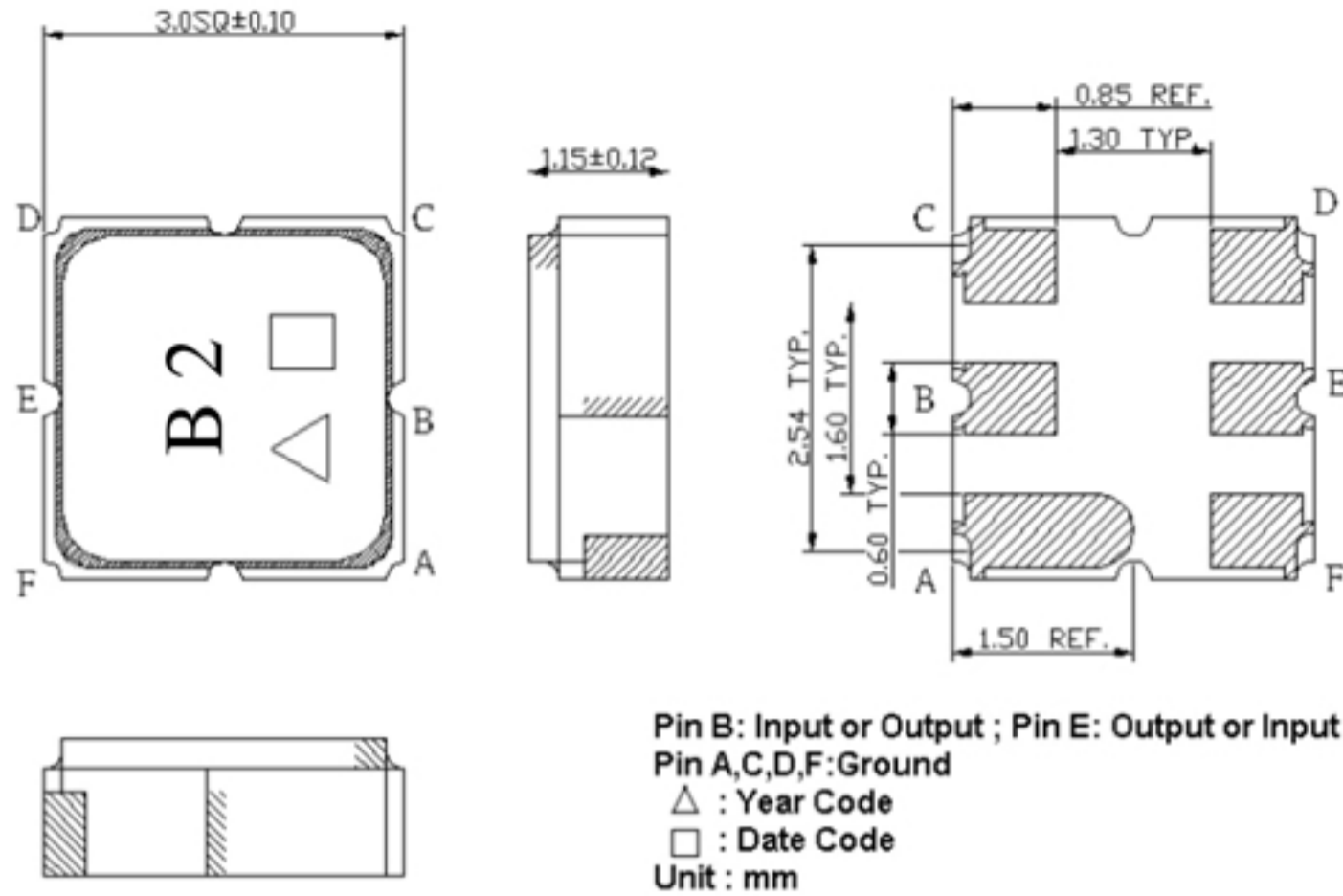
Characteristic	Units	Minimum	Typical	Maximum
Center frequency <b>Fr</b>	<b>MHz</b>	1039.950	1040.000	1040.050
Insertion Loss <b>IL</b>	<b>dB</b>	-	1.6	2.0
Equivalent Elements				
Motional capacitance <b>C1</b>	<b>fF</b>	-	1.08	-
Motional inductance <b>L1</b>	<b>μH</b>	-	21.64	-
Motional resistance <b>R1</b>	<b>Ohm</b>	-	17.88	-
Parallel capacitance <b>Co</b>	<b>pF</b>	-	2.30	-
Temp.coeff.	<b>ppm/c*2</b>	-	-0.032	-
Turnover To	<b>deg.C</b>	30	45	60
Package size		SMD 3.0X3.0X1.4mm		

## D. EQUIVIRENT CIRCUIT:

One-Port Resonator:



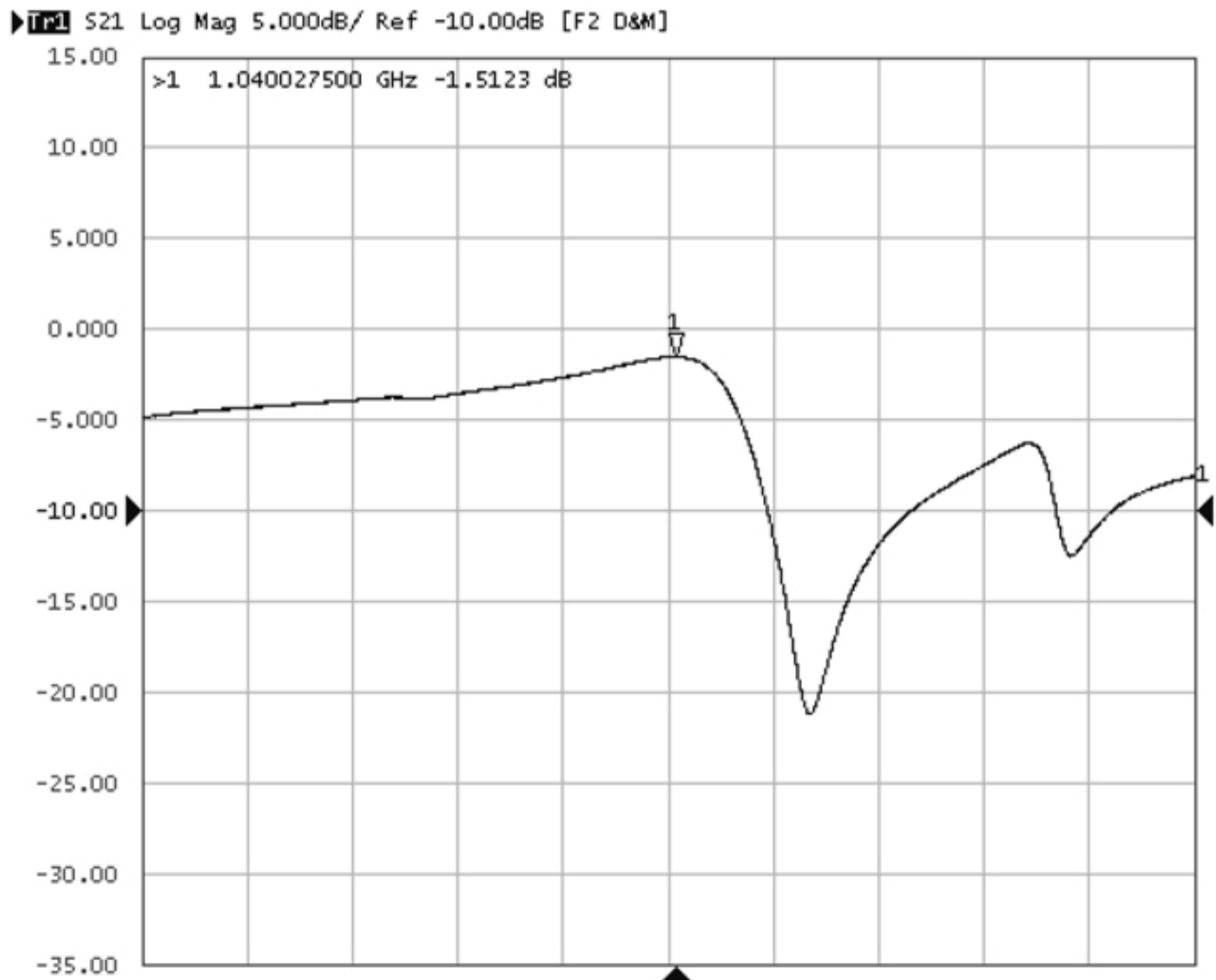
## E. OUTLINE DRAWING:



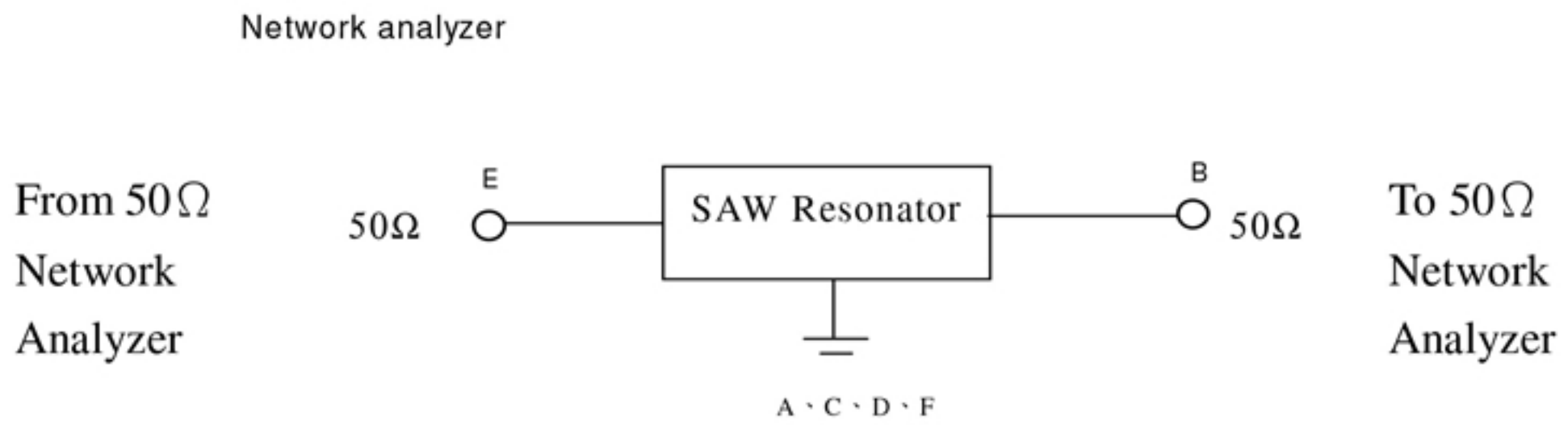
Date code: Provided by planer each year

Year code: 9 for 2009, 0 for 2010, 1 for 2011...

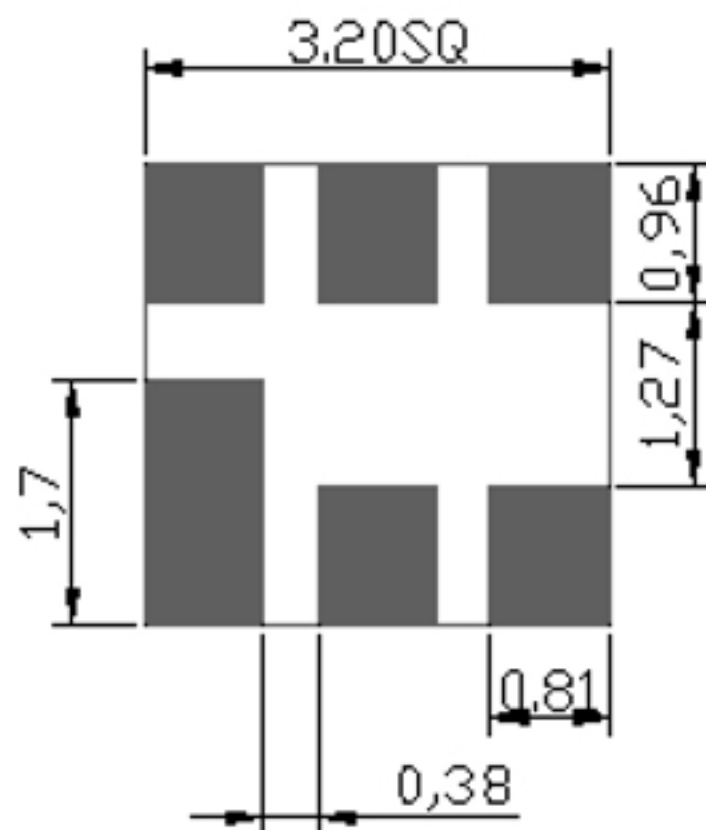
## F. FREQUENCY CHARACTERISTICS:



## G. TEST CIRCUIT:

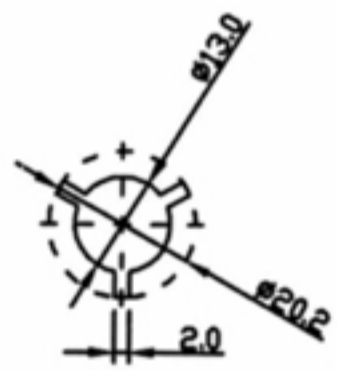
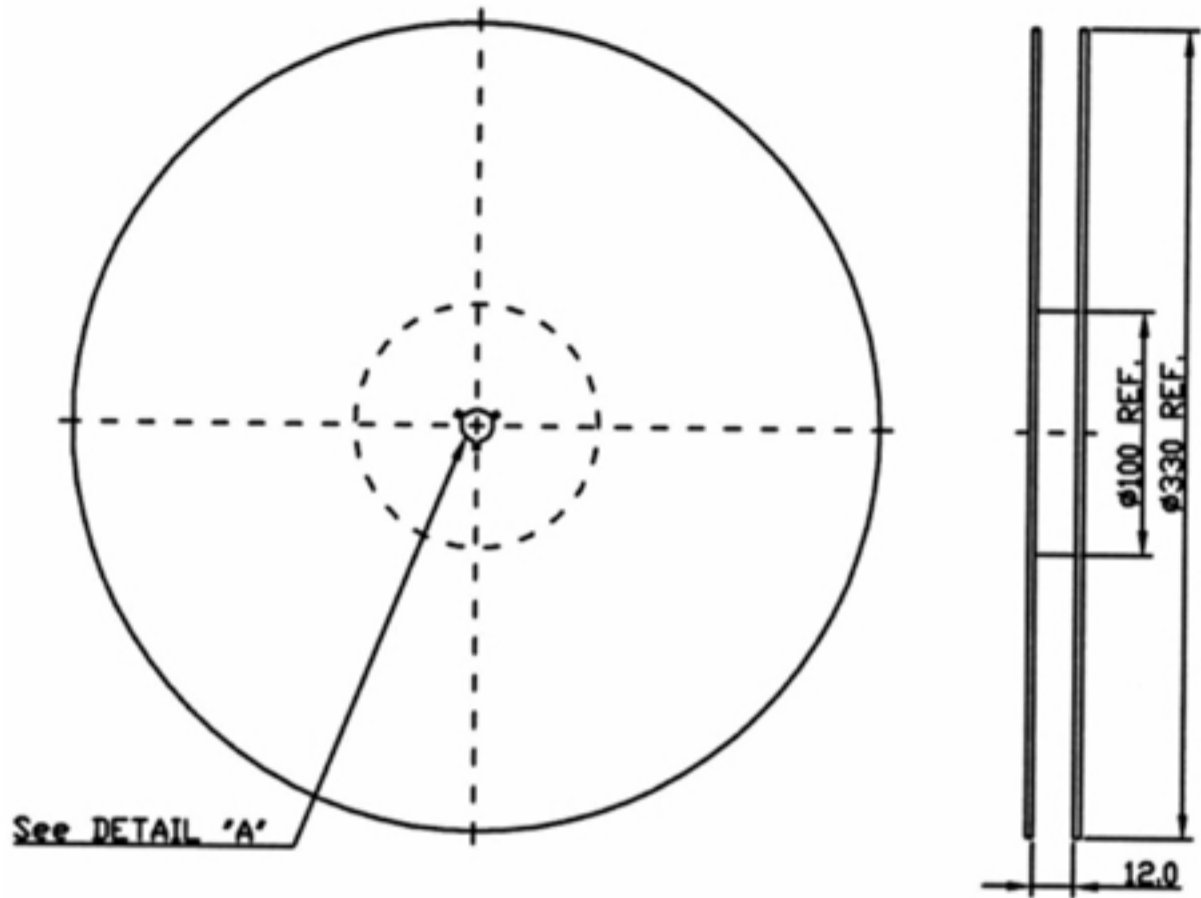


## H. PCB FOOTPRINT:

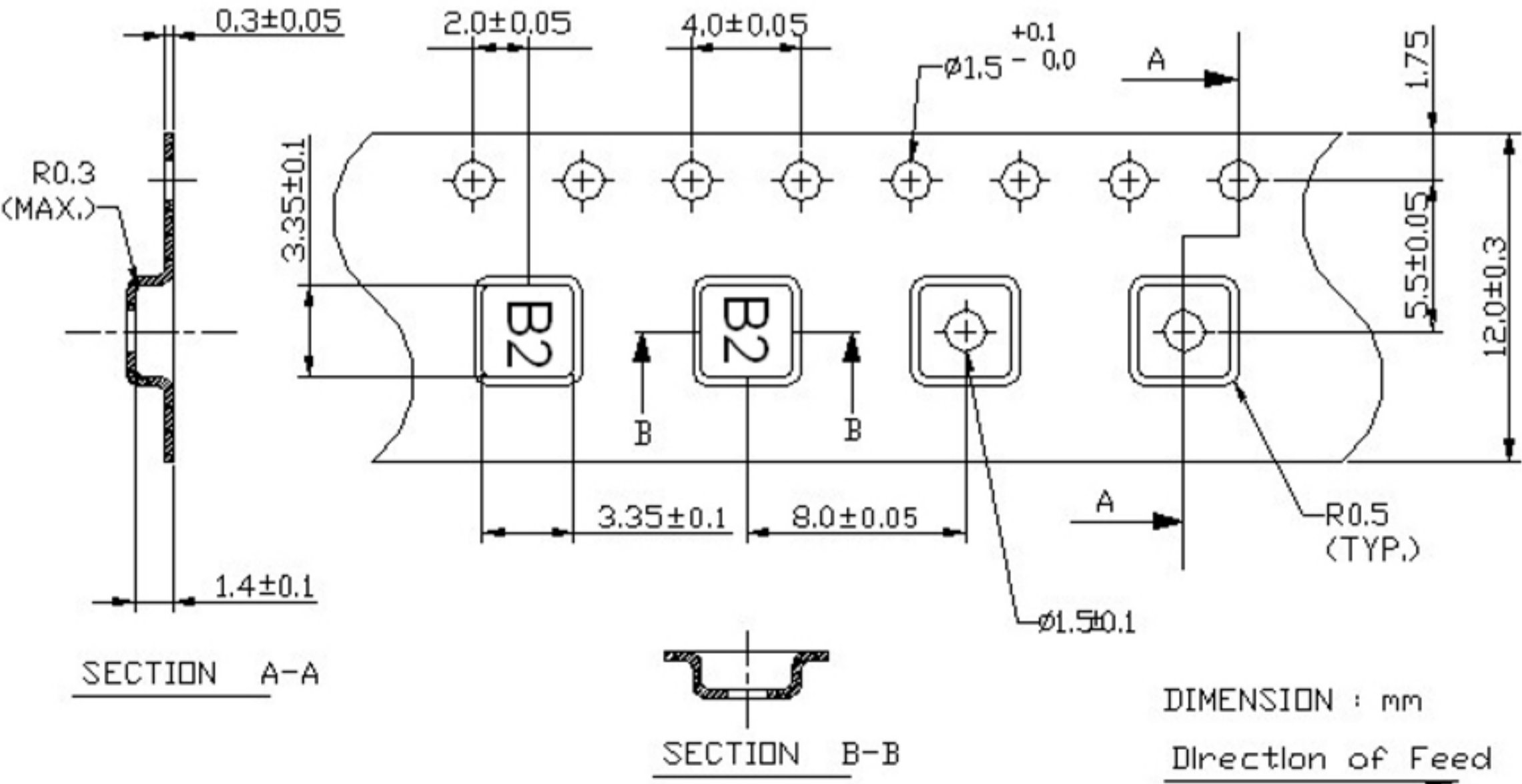


G. PACKING:

1. REEL DIMENSION



2. TAPE DIMENSION



## J. RECOMMENDED REFLOW PROFILE:

