

SAW Resonator 915.5 MHz

MODEL NO.: TC0402A

REV. NO.: 3.0

A. FEATURES:

- 1-Port Resonator.

B. MAXIMUM RATING:

1. Input Power Level: 0 dBm
2. DC voltage: 3 V
3. Operating Temperature: -40°C to +85°C
4. Storage Temperature: -40°C to +85°C
5. Moisture Sensitive Level (MSL): Level 1

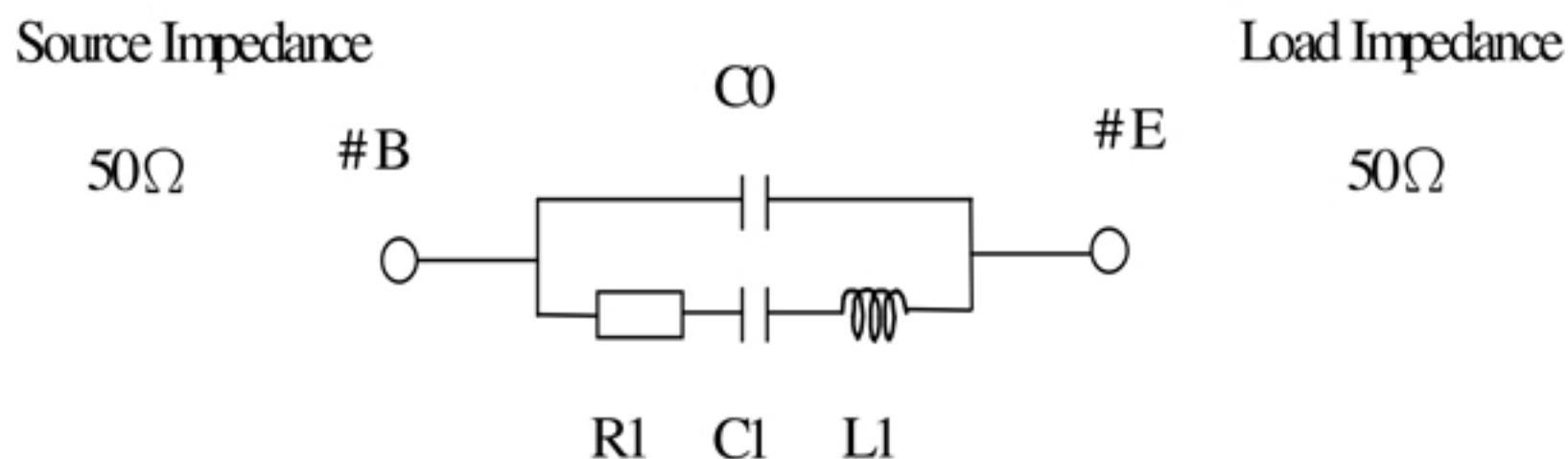
RoHS Compliant
Lead free
Lead-free soldering

C. ELECTRICAL CHARACTERISTICS:

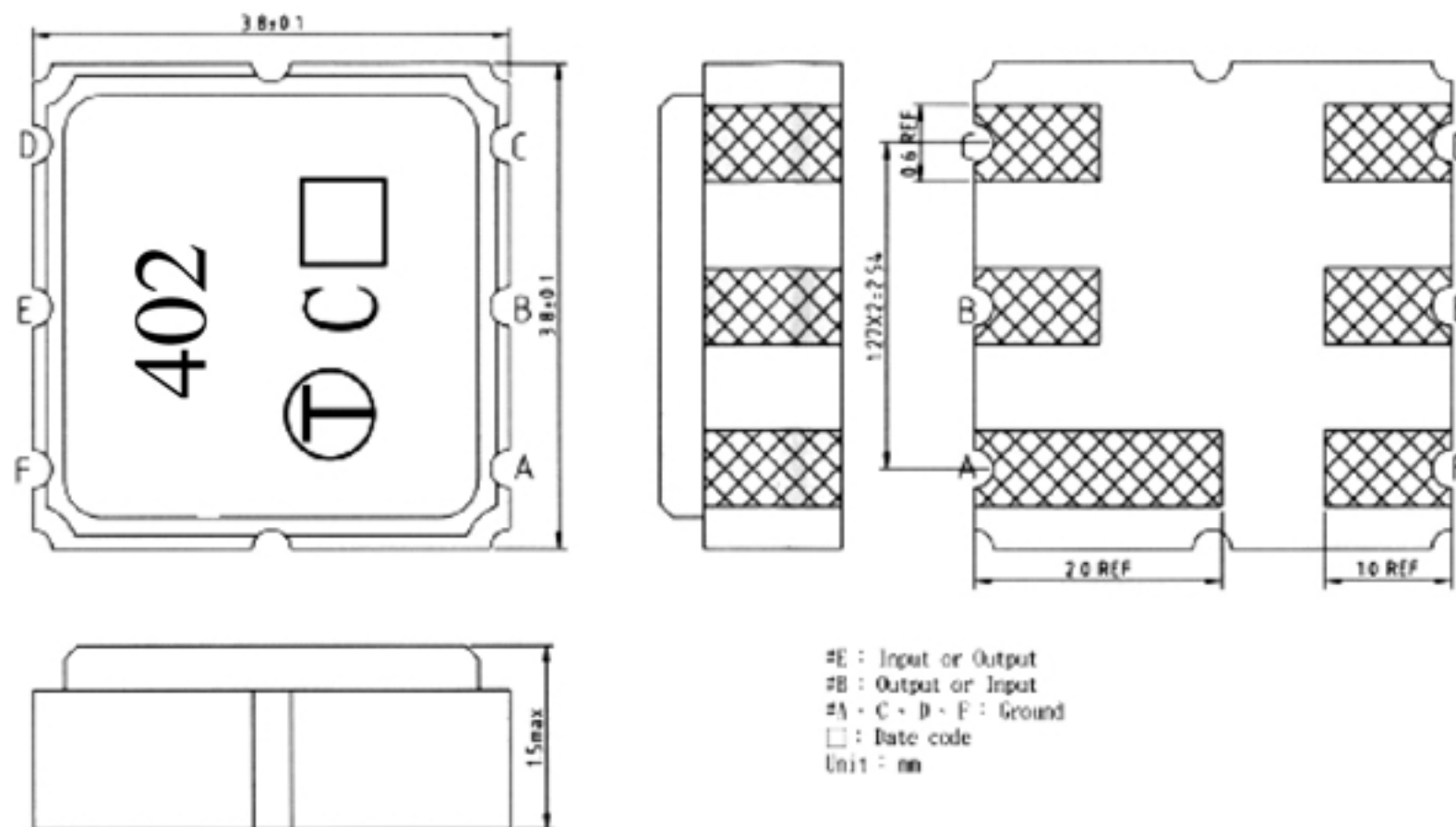
Characteristic	Units	Minimum	Typical	Maximum
Center frequency Fr	MHz	915.425	915.500	915.575
Insertion Loss IL	dB	-	1.7	2.3
Equivalent Elements				
Motional capacitance C1	fF	-	1.13	-
Motional inductance L1	μH	-	26.79	-
Motional resistance R1	Ohm	-	19.03	-
Parallel capacitance Co	pF	-	2.27	-
Temp.coeff.	ppm/c*2	-	0.032	-
Turnover To	deg.C	-	25	-
Package size		SMD 3.8X3.8X1.4mm		

D. EQUIVALENT CIRCUIT:

One-Port Resonator:



E. OUTLINE DRAWING:

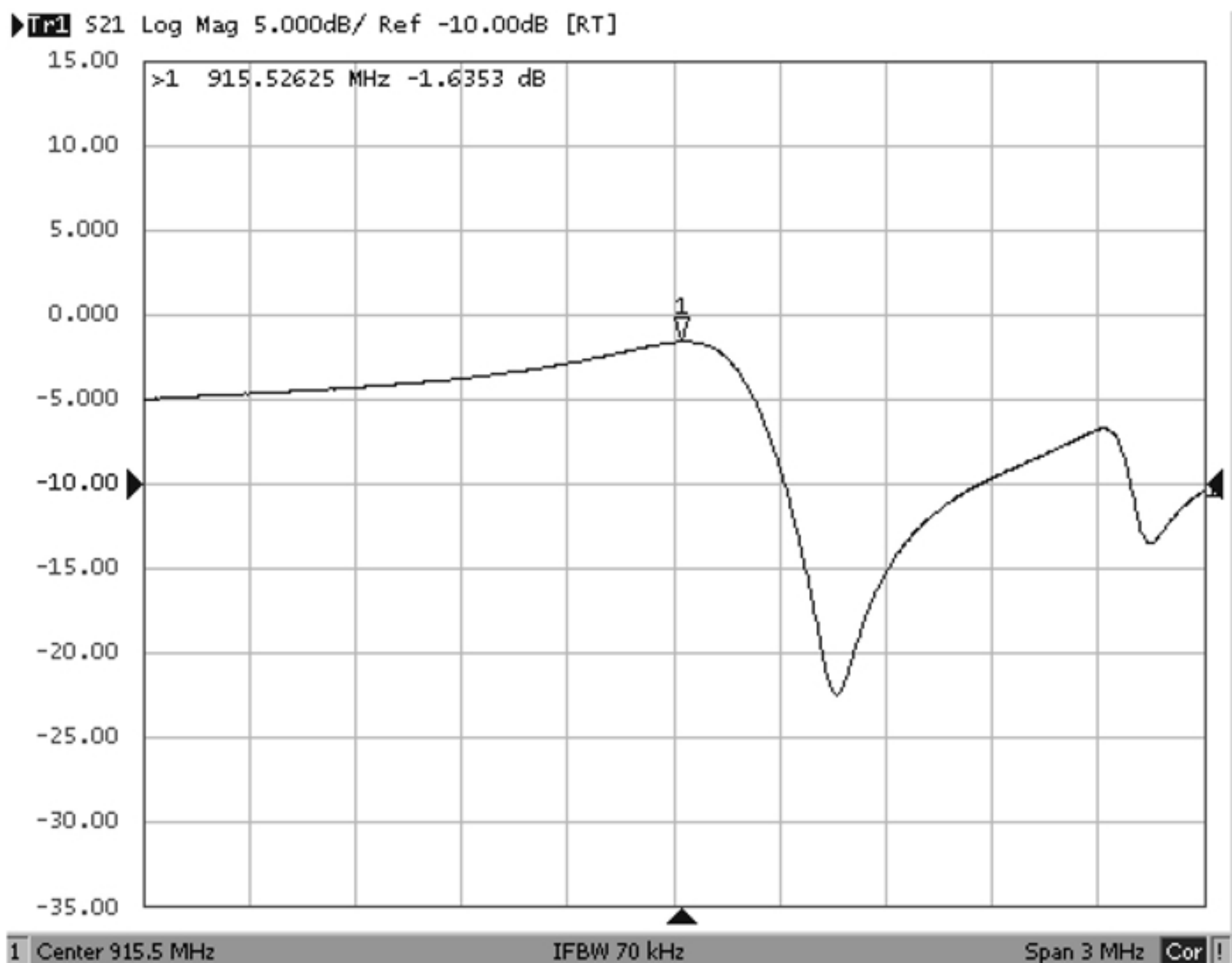


Date code: Provided by planer each year

Product Year Code

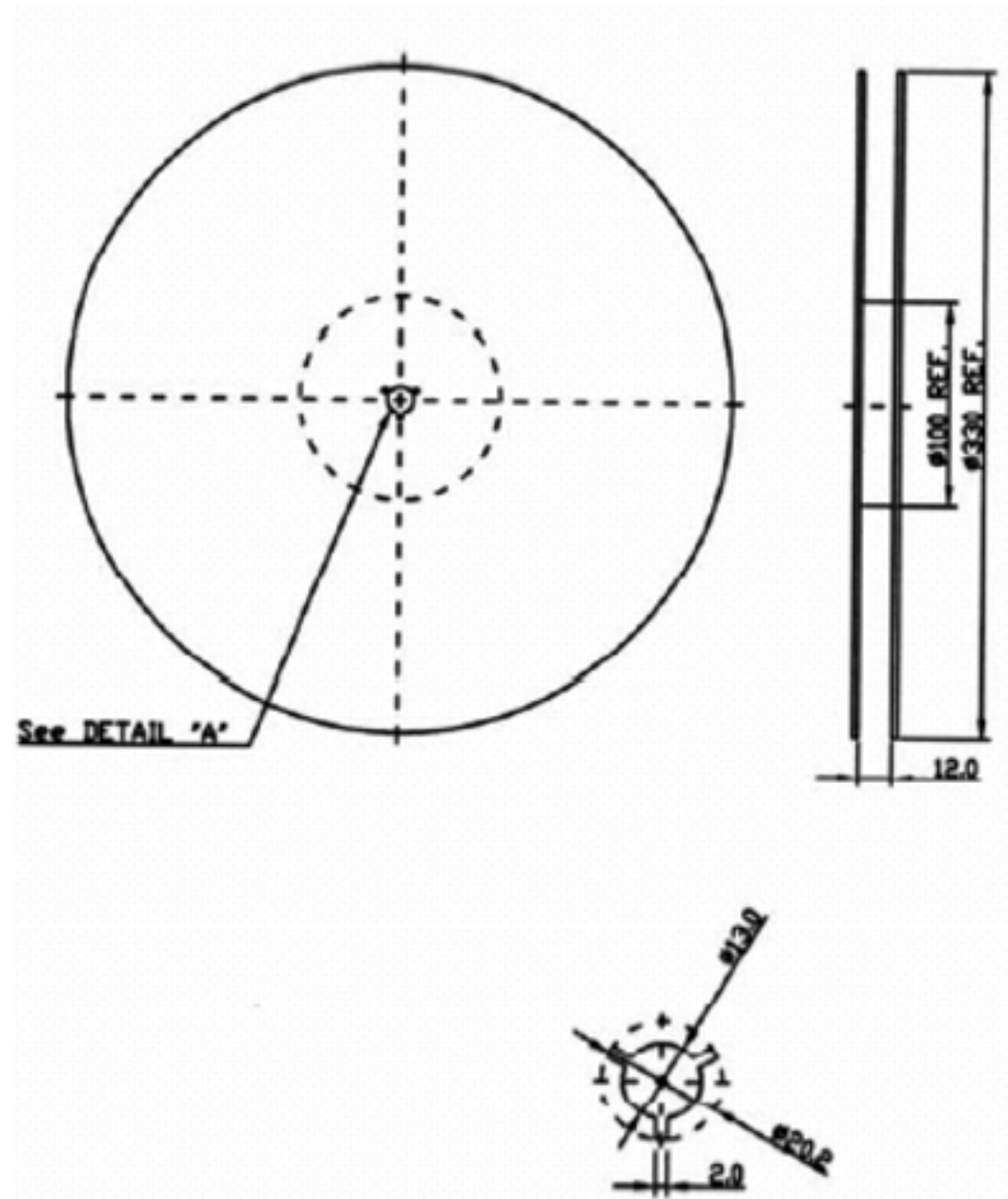
Year	2005	2006
	2007	2008
Product Code	C	c

F. FREQUENCY CHARACTERISTICS

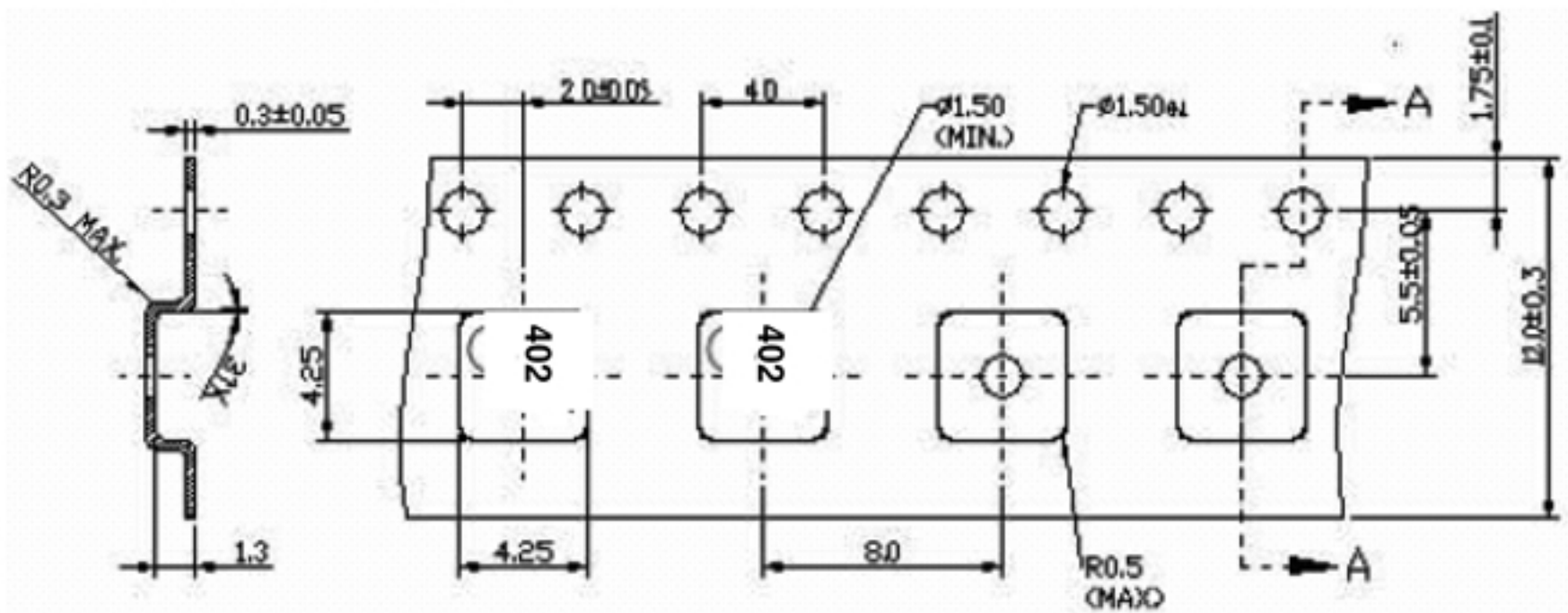


I. PACKING:

1. REEL DIMENSION



2. TAPE DIMENSION



Section A-A

J. RECOMMENDED REFLOW PROFILE:

