

SAW Resonator 800 MHz

MODEL NO.: TC0627A

REV. NO.:1

A. FEATURES:

- 1-Port Resonator.

B. MAXIMUM RATING:

1. Input Power Level: 0 dBm
2. DC voltage: 12 V
3. Operating Temperature: -40°C to +85°C
4. Storage Temperature: -40°C to +85°C

C. ELECTRICAL CHARACTERISTICS:

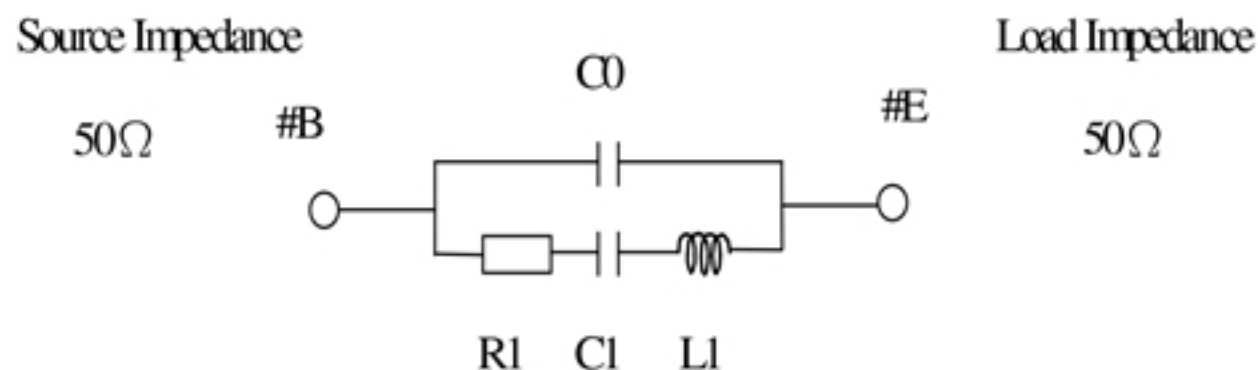
Characteristic	Units	Minimum	Typical	Maximum
Center frequency Fr	MHz	799.925	800	800.075
Insertion Loss IL	dB		1.3	2.3
Unloaded Quality factor		-	8700	-
Equivalent Elements				
Motional capacitance C1	fF	-	1.53	-
Motional inductance L1	μH	-	25.86	-
Motional resistance R1	Ohm	-	13.47	-
Parallel capacitance Co	pF	-	2.04	-
Temp. coeff.	ppm/c*2	-	0.032	-
Turnover To	deg.C	-	25	-
Package size		SMD 3.0X3.0X1.1mm		

RoHS Compliant
Lead free
Lead-free soldering

Electrostatic Sensitive Device (ESD)

D. EQUIVARENT CIRCUIT:

One-Port Resonator:



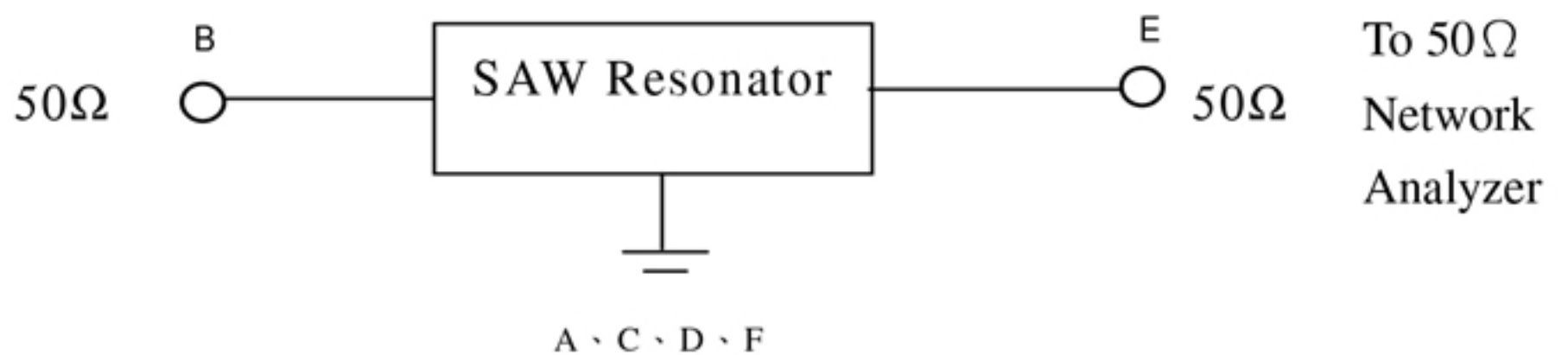
E. FREQUENCY CHARACTERISTICS:



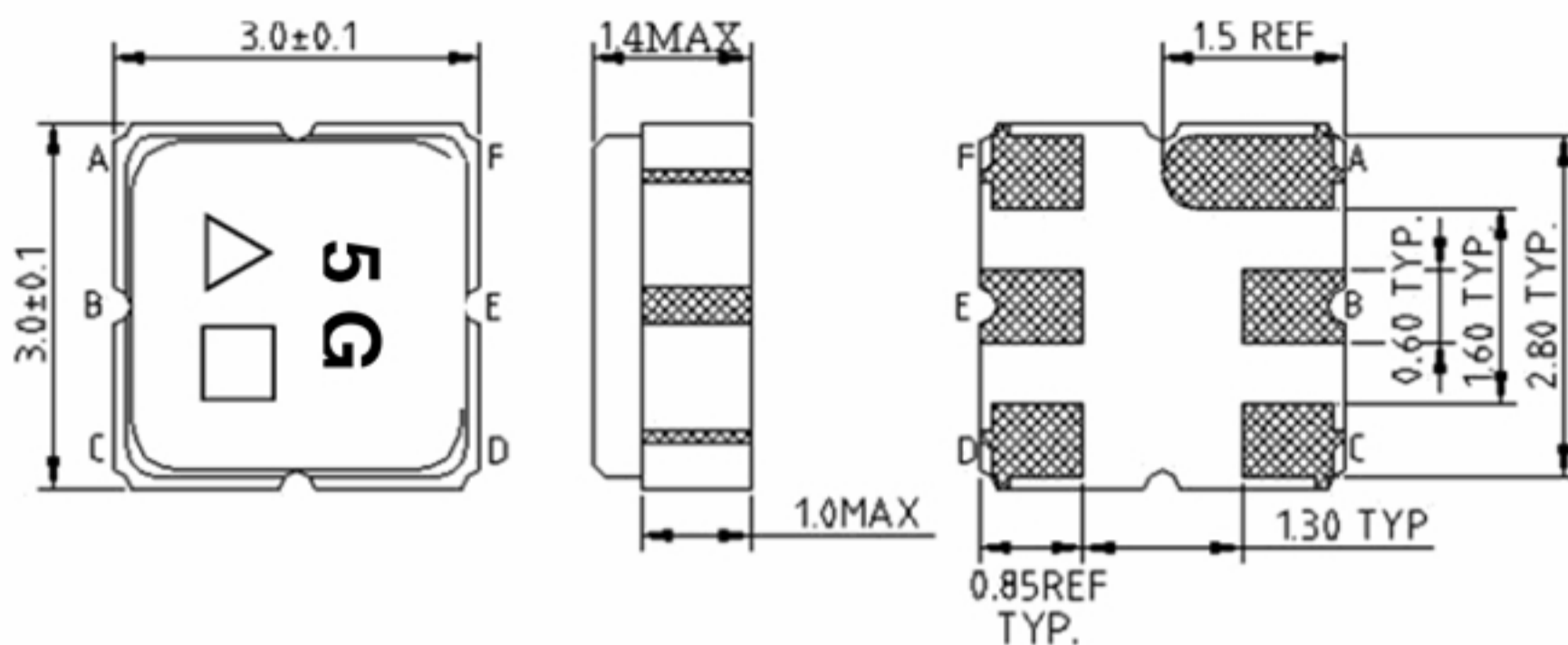
F. TEST CIRCUIT:

Network analyzer

From 50Ω
Network
Analyzer



G. OUTLINE DRAWING:



#B: Input

#E: Output

A.C.D.F Ground

△: Year code (ex 2008 → 8)

□: Date code

Unit: mm

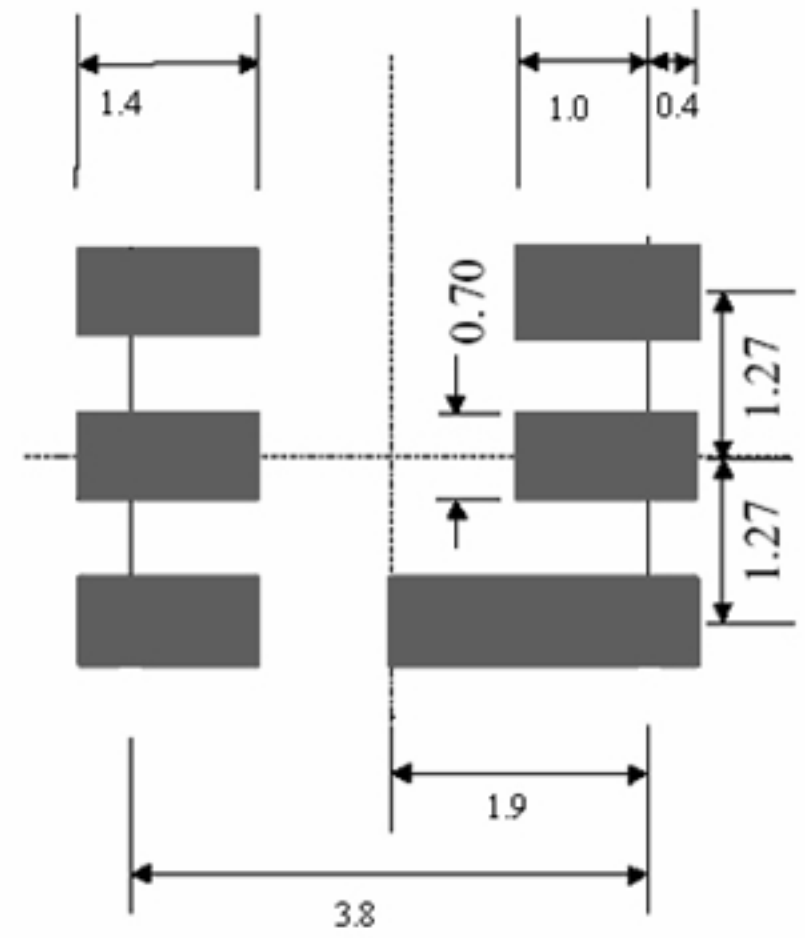
□ Data code : See the table

WK01	WK02	WK03	WK04	WK05	WK06	WK07	WK08	WK09	WK10	WK11	WK12	WK13
A	B	C	D	E	F	G	H	I	J	K	L	M
WK14	WK15	WK16	WK17	WK18	WK19	WK20	WK21	WK22	WK23	WK24	WK25	WK26
N	O	P	Q	R	S	T	U	V	W	X	Y	Z
WK27	WK28	WK29	WK30	WK31	WK32	WK33	WK34	WK35	WK36	WK37	WK38	WK39
a	b	c	d	e	f	g	h	i	j	k	l	m
WK40	WK41	WK42	WK43	WK44	WK45	WK46	WK47	WK48	WK49	WK50	WK51	WK52
n	o	p	q	r	s	t	u	v	w	x	y	z

△ Year code : See the table

Year	2008	2009	2010	2011	...	2019	2020
Code	8	9	0	1	...	9	0

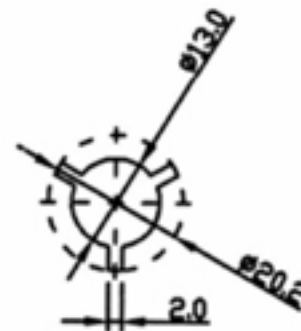
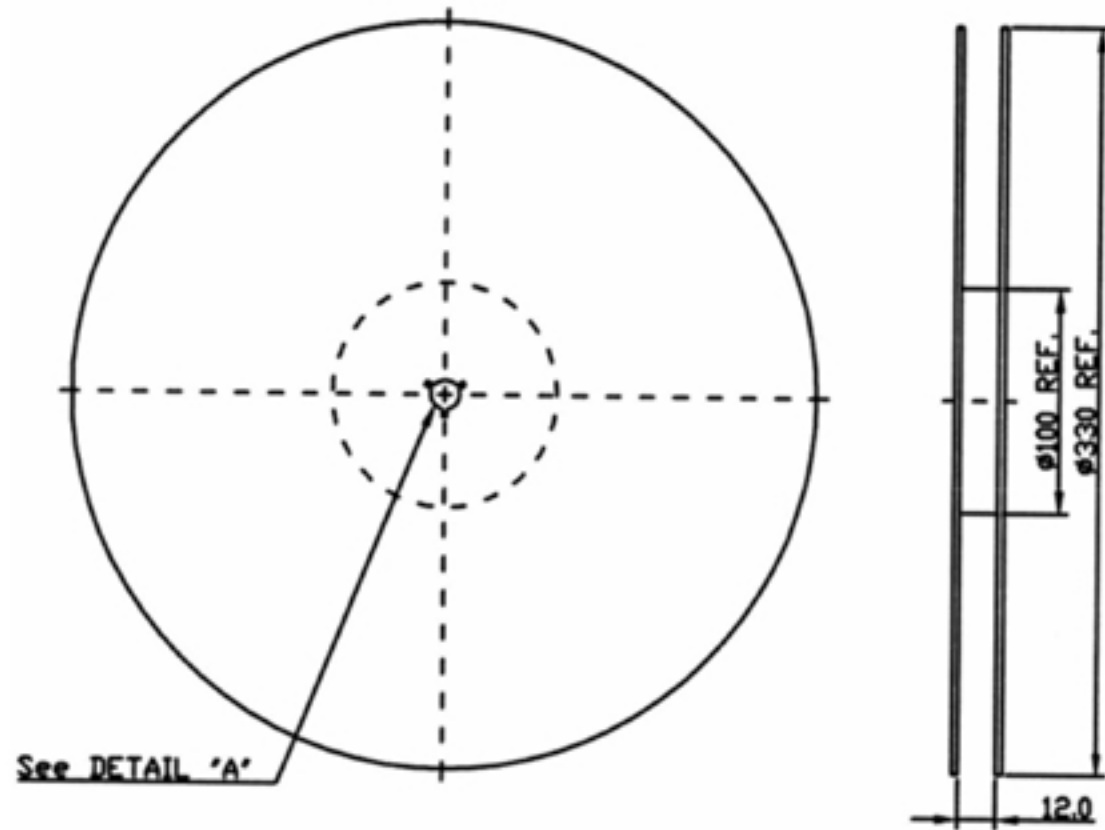
H. PCB FOOTPRINT:



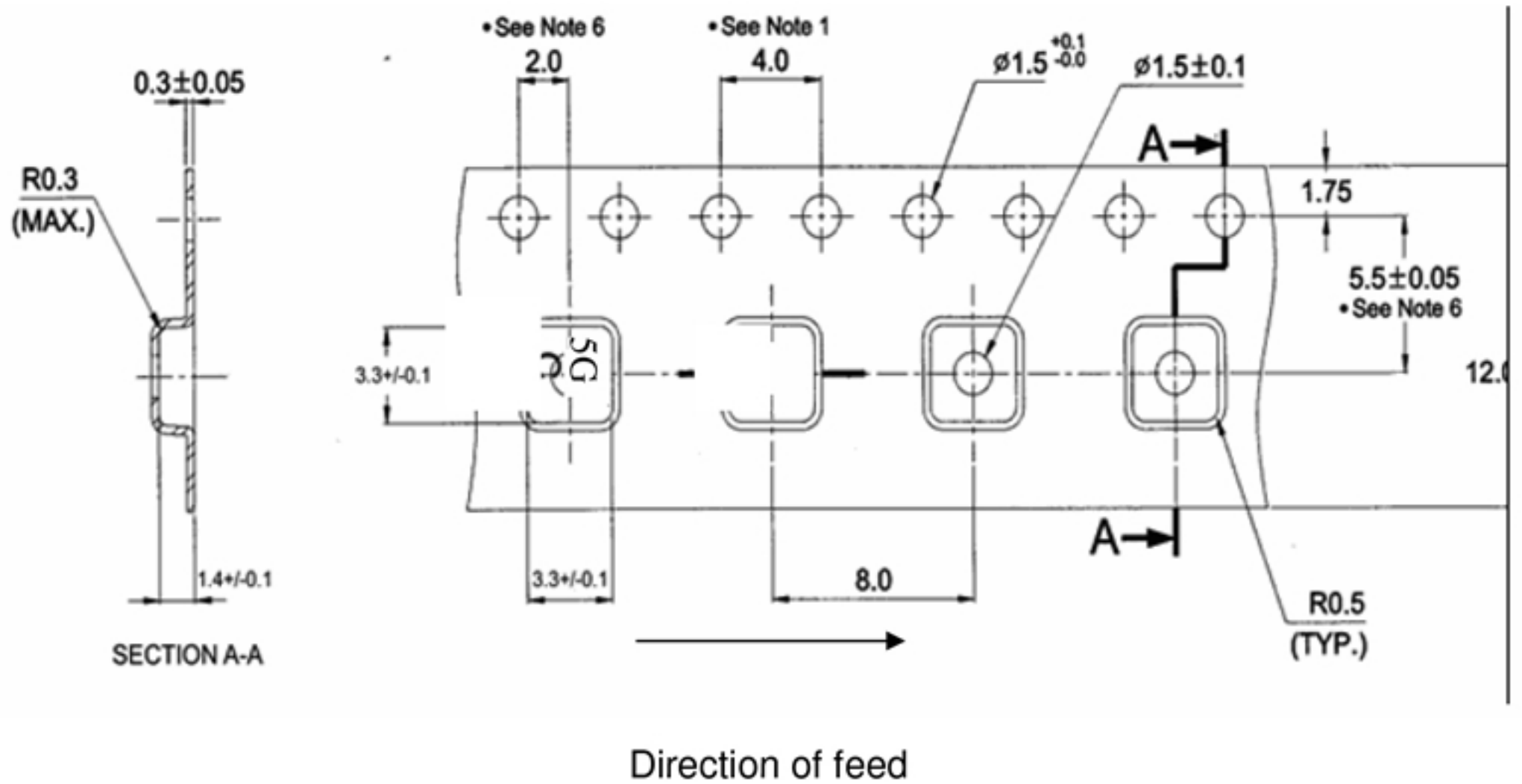
I. PACKING:

1. REEL DIMENSION

(Please refer to FR-75D10 for packing quantity)



2. TAPE DIMENSION



J. RECOMMENDED REFLOW PROFILE:

